

# IS40

## INDUSTRIAL

The proven technology of the Falcon plus active infrared presence detection.



**Quality**  
**Intelligence**  
**Precision**

### Proven Technologies

Active infrared and microwave technologies work together to provide precise presence and accurate motion detection in front of the door.

### Superior Coverage

Maximum mounting height at 16 ft. Detection pattern up to 40 spots, equating to 10' x 10' coverage.

### Durability For Tough Industrial Environments

Impervious to door vibrations, light, sun and the environment; including rain and snow. The IS40 housing is rated NEMA-4.

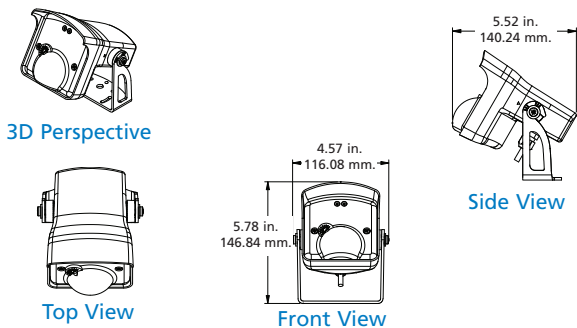
### Minimal Installation and Maintenance

Replaces the labor-intensive inductive loops with an easy-to-mount overhead installation. All adjustments are executed using the BEA remote control.

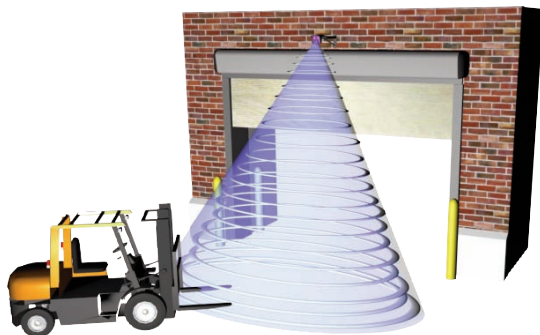
## INDUSTRIAL

The proven technology of the Falcon plus active infrared presence detection.

### DIMENSIONAL DRAWINGS

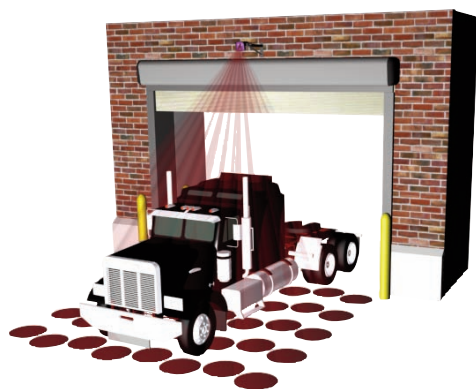


### APPLICATIONS



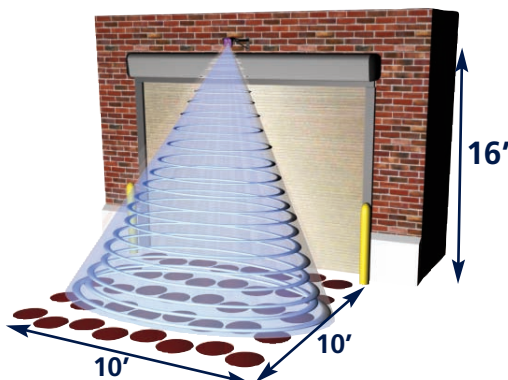
#### MICROWAVE ACTIVATION

The IS40 dual technology sensor detects objects in motion.



#### INFRARED PRESENCE DETECTION

The IS40 dual technology sensor detects objects at rest.



#### ADJUSTABLE MOUNTING HEIGHTS

The IS40 is mountable between 8' and 16' feet.

### TECHNICAL SPECS

<b>TECHNOLOGY</b>	MICROWAVE	INFRARED
<b>RADIATED FREQUENCY</b>	24.175 GHz	875nm
<b>RADIATED POWER DENSITY</b>	< 5 mW/cm <sup>2</sup>	< 250 mW/m <sup>2</sup>
<b>DETECTION MODE</b>	Motion	Presence
<b>DETECTION FIELD</b>	13' x 16' (4m x 5m)	10' x 10' 3m x 3m
<b>OUTPUT HOLD TIME</b>	0.5 sec. to 9 sec.	0.5 sec.
<b>REACTION TIME</b>	100ms	250ms
<b>MINIMUM TARGET SPEED</b>	5cm/s (in sensor axis)	0cm/s
<b>TILT ANGLE</b>	-8° to 22° (relative to sensor front face)	15° to 45°
<b>LED INDICATION SIGNAL NOTIFICATION</b>	Green	Red
<b>SUPPLY VOLTAGE</b>	12 to 24VAC ± 10%	
	12 to 24VDC +30% / -5%	
<b>MAIN FREQUENCY</b>	50 to 60Hz	
<b>POWER CONSUMPTION</b>	< 2W	
<b>RELAY OUTPUT</b>	2 Relays with switch-over contact (voltage free)	
<b>-MAX. VOLTAGE</b>	60 VDC / 125 VAC	
<b>-MAX. CURRENT</b>	1A (resistive)	
<b>-MAX SWITCHING POWER</b>	30W (DC) / 60VA (AC)	
<b>INSTALLATION HEIGHT</b>	8' to 16' (2.5m to 5m)	
<b>TEMPERATURE RANGE</b>	-22°F (-30°C) to + 140°F (60°C)	
<b>PROTECTION DEGREE</b>	IP65	
<b>NORM CONFORMITY</b>	Electromagnetic compatibility (EMC) according to 2004/108/EEC, R&TTE: 1999/5/EC	
<b>DIMENSIONS</b>	(D X W X H) 5 in. X 4 in. X 3.75 in. (127mm x 102mm x 96mm)	
<b>MATERIAL HOUSING</b>	ABS	
<b>FACE</b>	Polycarbonate	
<b>COLOR HOUSING</b>	Black	
<b>FACE</b>	Transparent Purple	
<b>CABLE LENGTH</b>	32 feet (10m)	

### IS40 COMPONENTS



- 1 IR LENS
- 2 Microwave Antenna
- 3 Microwave Field Adjustment
- 4 LED Indicators
- 5 Sensor Angle Adjustment
- 6 Mounting Bracket
- 7 Universal Remote Control

### RELATED PRODUCTS



#### Contact Information

**BEA Inc.**  
RIDC Park West  
100 ENTERPRISE DRIVE  
PITTSBURGH, PA 15275

PHONE 1.412.249.4100  
FAX 1.888.523.2462  
TOLL FREE 1.800.5 BEA INC

**BEA West**  
190 East  
Arrow Highway Suite A  
San Dimas, CA 91773-3314

FAX 1.888.523.2462  
TOLL FREE 1.877.232.9378

